



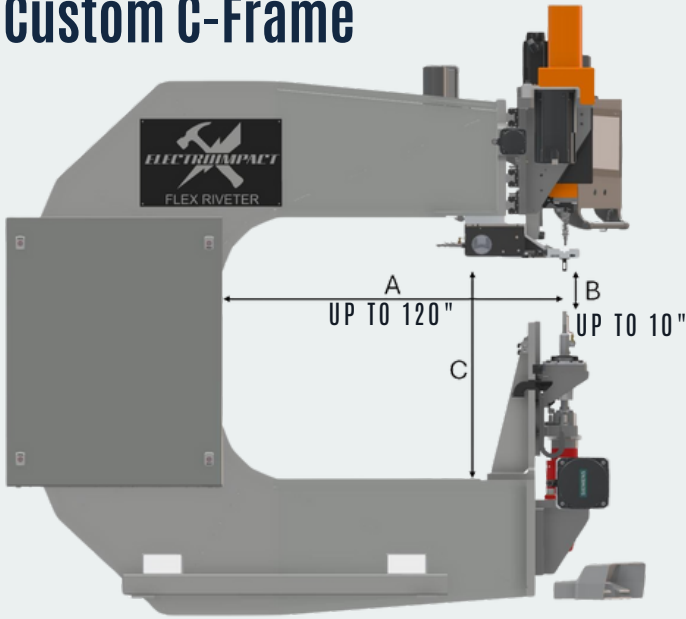
MOVE IT. PLACE IT. RIVET.

FLEXRIVETER



SEMI-AUTOMATIC ALL-ELECTRIC RIVETER

Custom C-Frame



- **Baseline ("Mini")** – 36" throat depth, (\$300k).
 - A is 36" on Mini
 - B is 8" on Mini
 - C is 30" on Mini
- **Custom C-Frame** – Expand throat up to 120" (add \$100k).
 - A can increase to 120"
 - B can increase to 10"
 - C can be increased as required

All-Electric

- Low-cost electric Hiteco air-cooled spindle.



Dual Actuators

- 30-kip Powerjacks screw jacks.
- Top and bottom actuators allows for bolt installation.



Operator-Controlled

- Part positioning and rivet actuation via foot pedal.



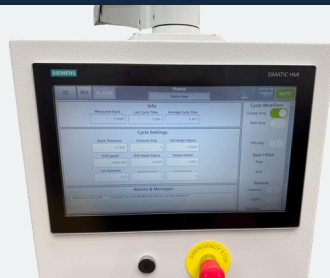
Industry-Standard Tooling

- G100 style tooling.



Siemens Controls

- Easy to use HMI interface.
- PLC S7-1500.
- S210 Motor-drives.



Fastener Feed

- Base model comes with minihopper.
- Up to six minihoppers (wide head).
- Triple injector for pneumatic feed.



Available Enhancements

- Sealant inserter
- Boelube spray system
- Chip vacuum
- Camera monitoring
- Laser spot alignment
- Futek load cell (lower ram)

Contact

PETER ZIEVE
peterz@electroimpact.com
425-293-4203

JEFF REZNICEK
jeffr@electroimpact.com
425-493-5584